

# CS 2147

# CS 2152

# CS 2147 EPA

# CS 2152 EPA

**Spare parts**

Replaces

**Ersatzteile**

Ersetzt

**Pièces détachées**

Remplace

**Reserve onderdelen**

Vervangt

**Repuestos**

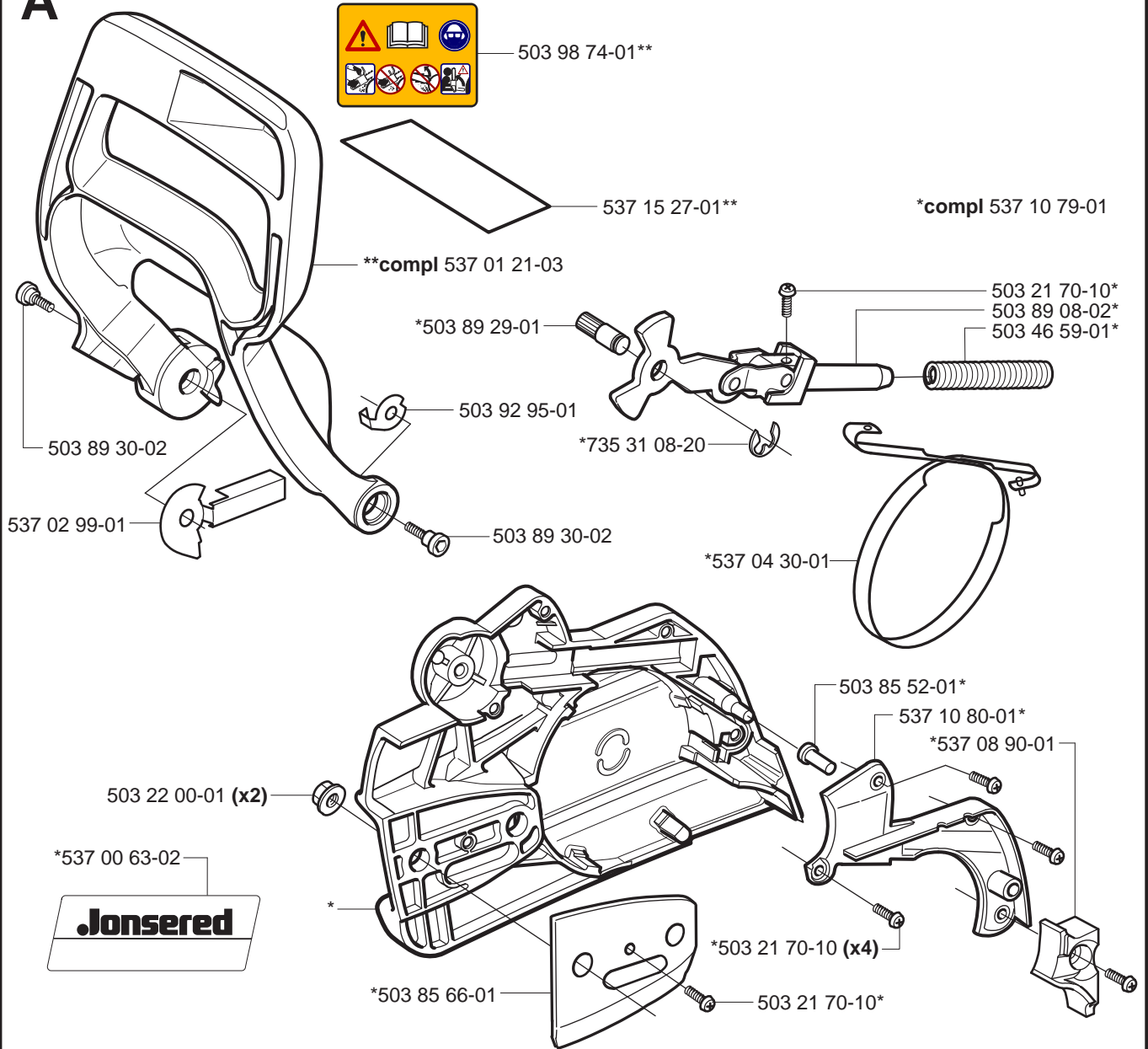
Reemplaza

**Reservdelar**

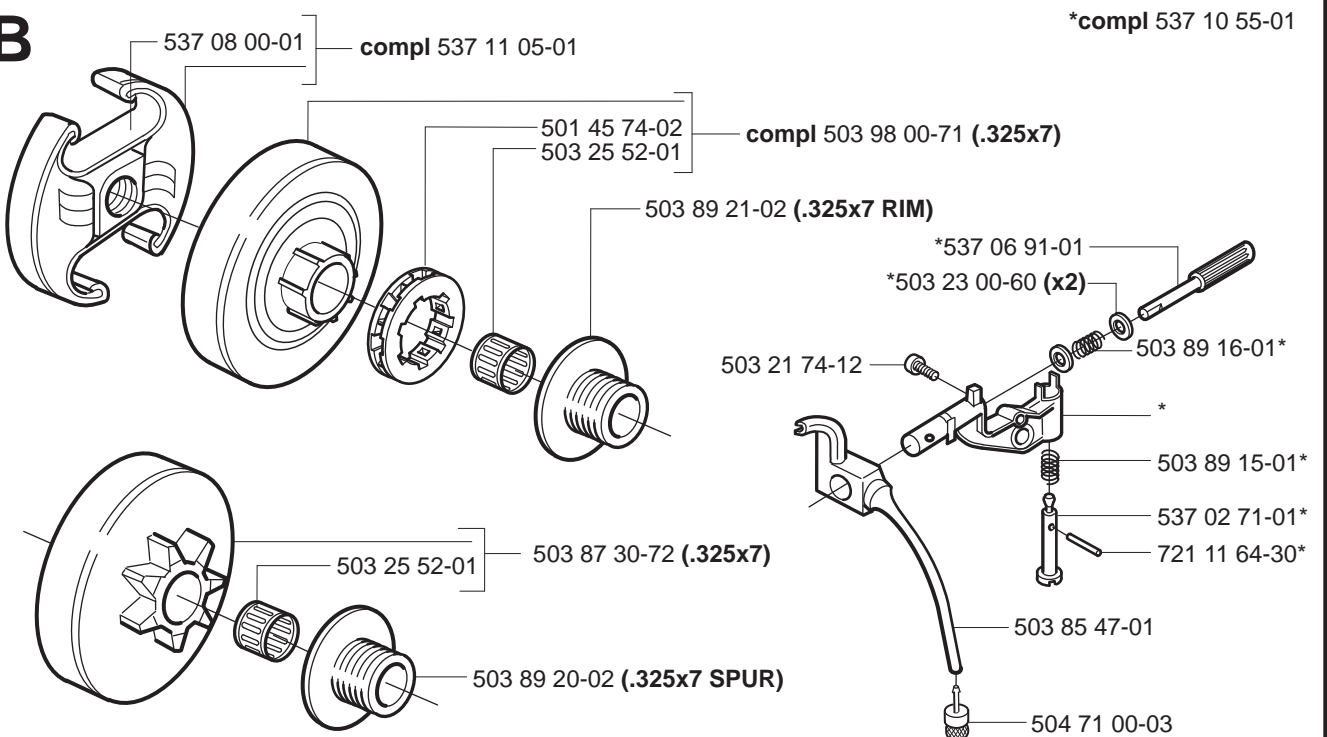
Ersätter

106 39 87-62

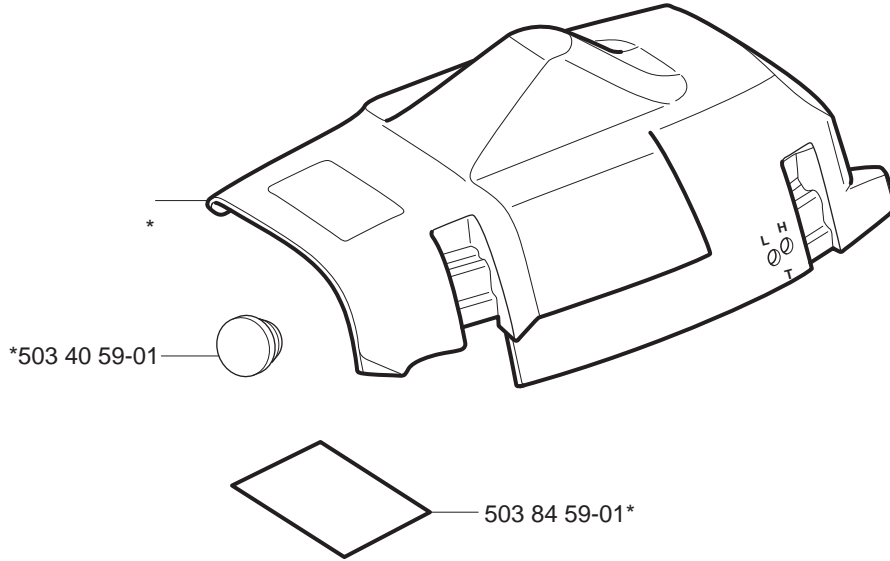
**A**



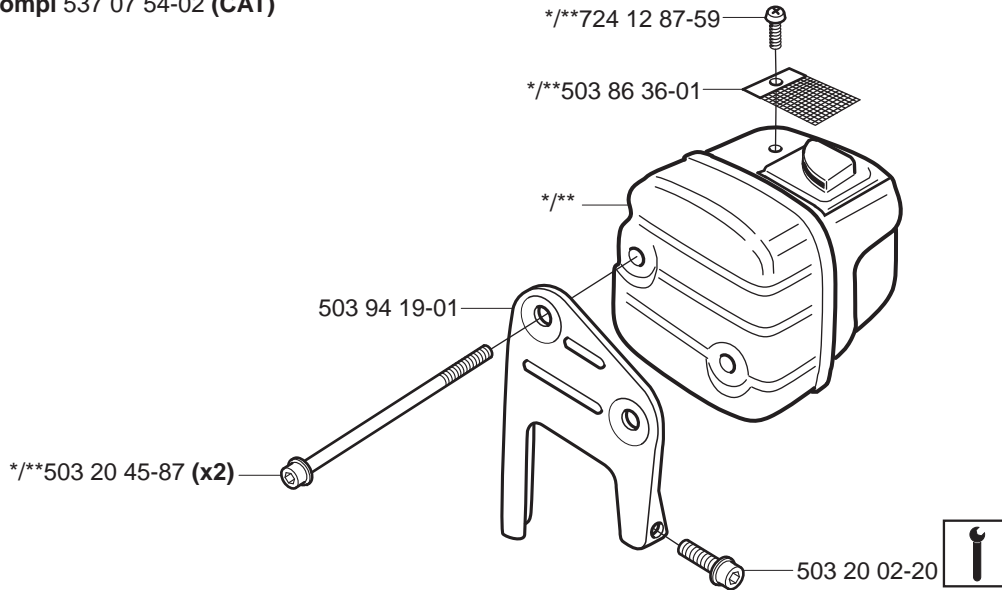
**B**



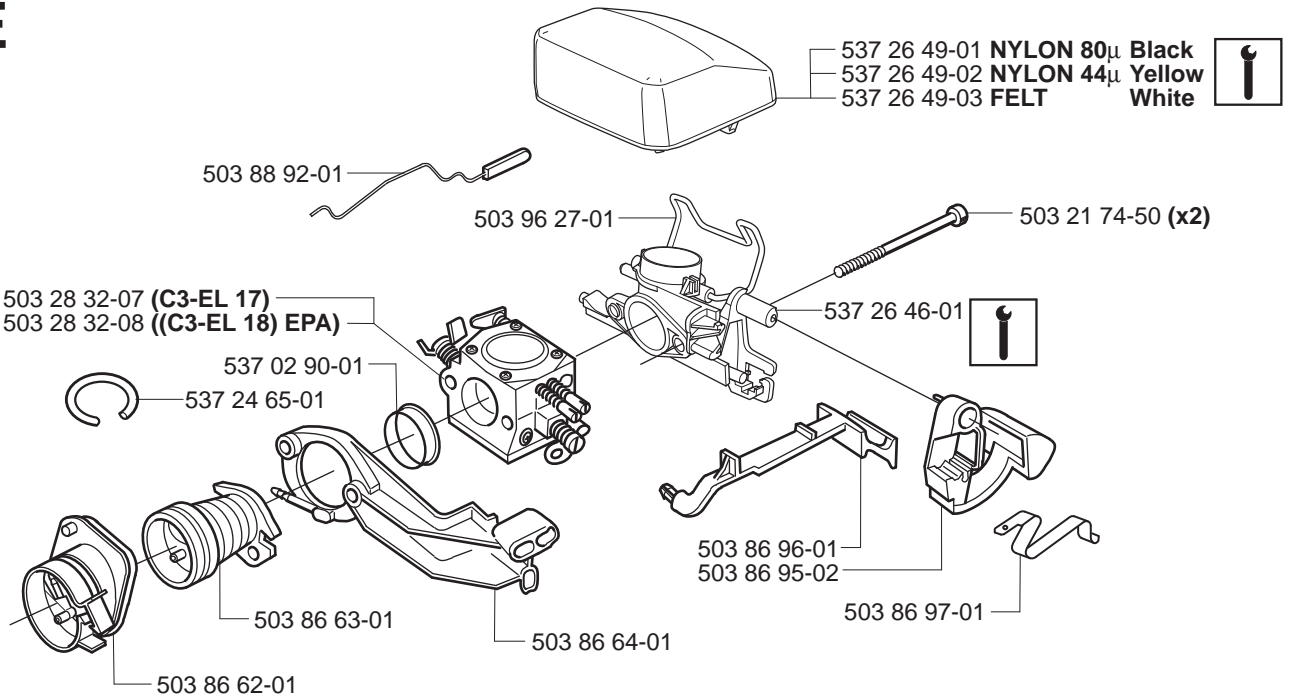
**C** \*compl 537 03 32-04



**D** \*compl 503 86 28-03 (DF)  
\*\*compl 537 07 54-02 (CAT)

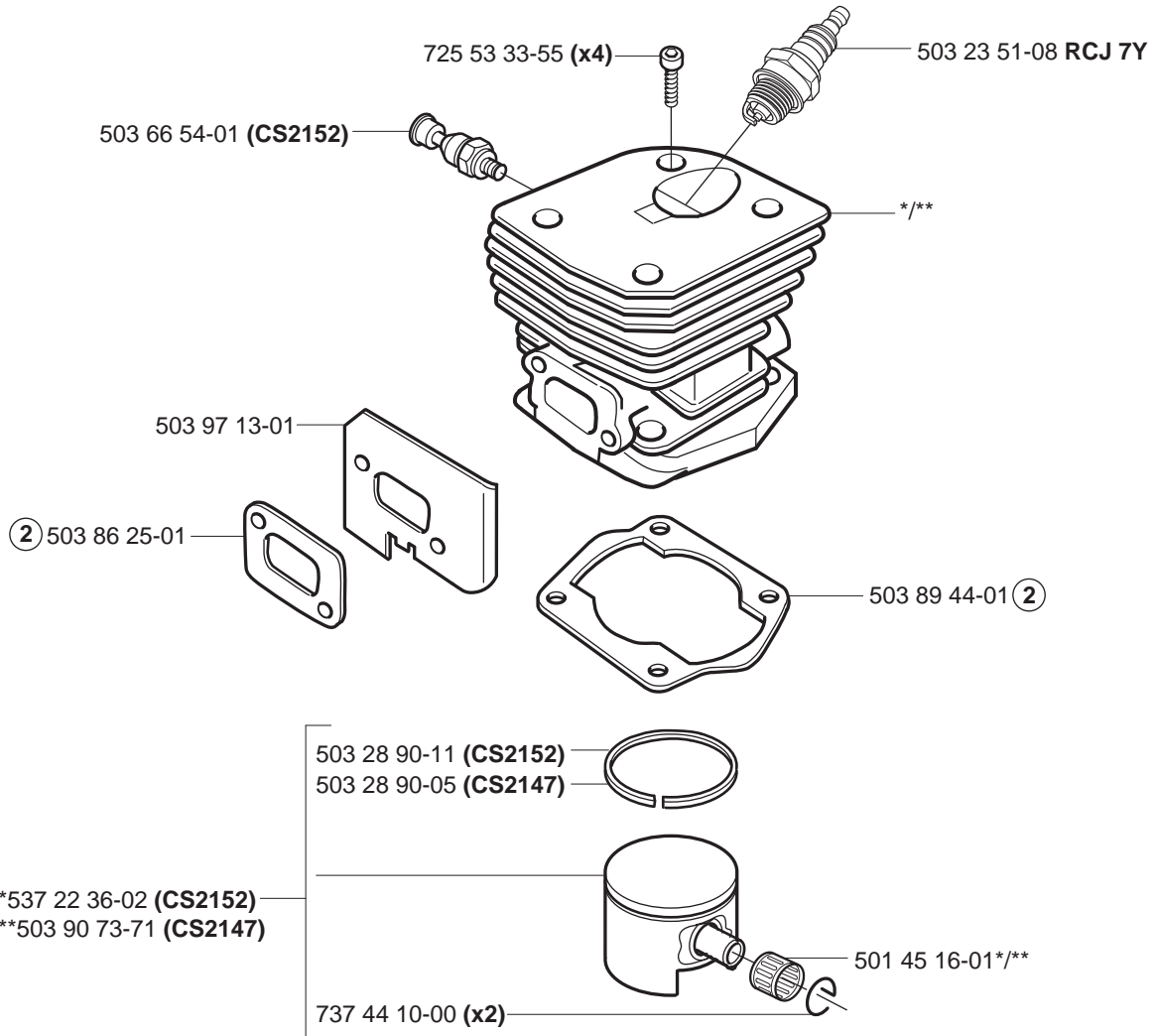


**E**

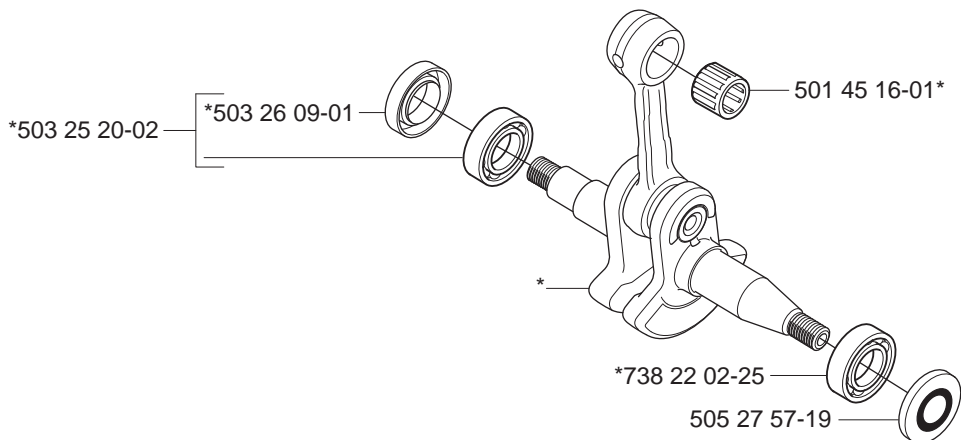


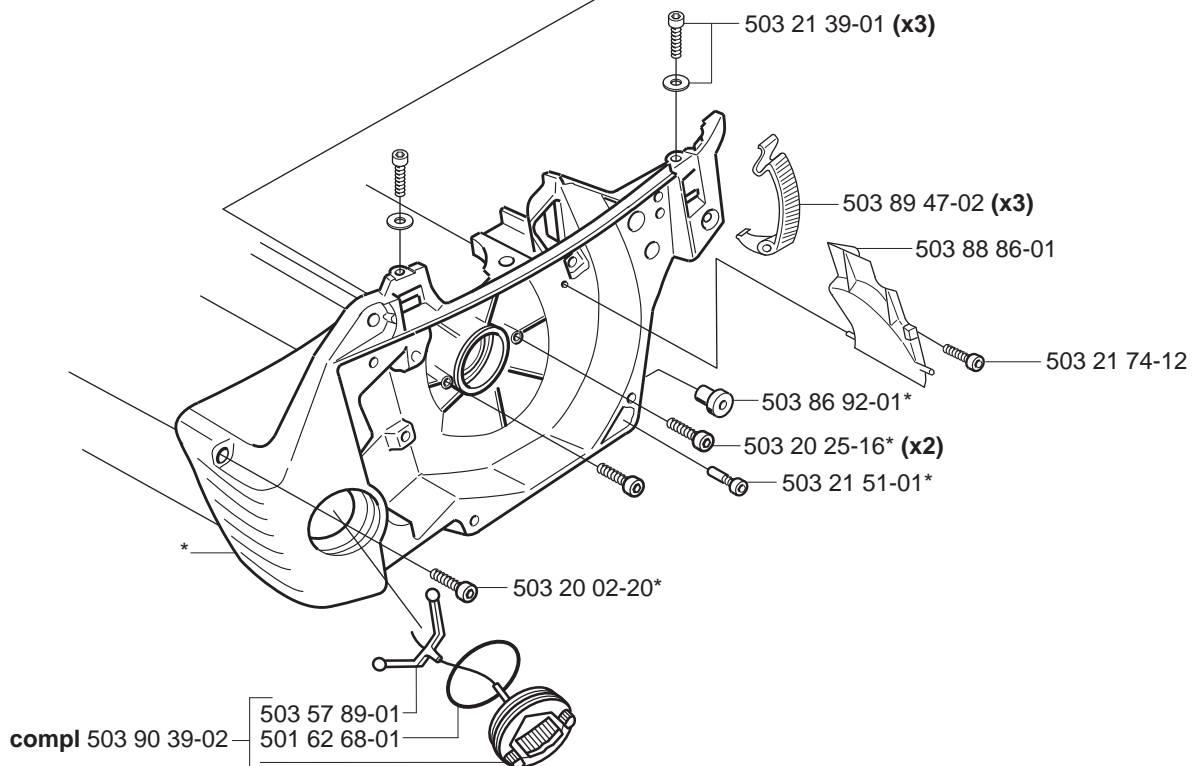
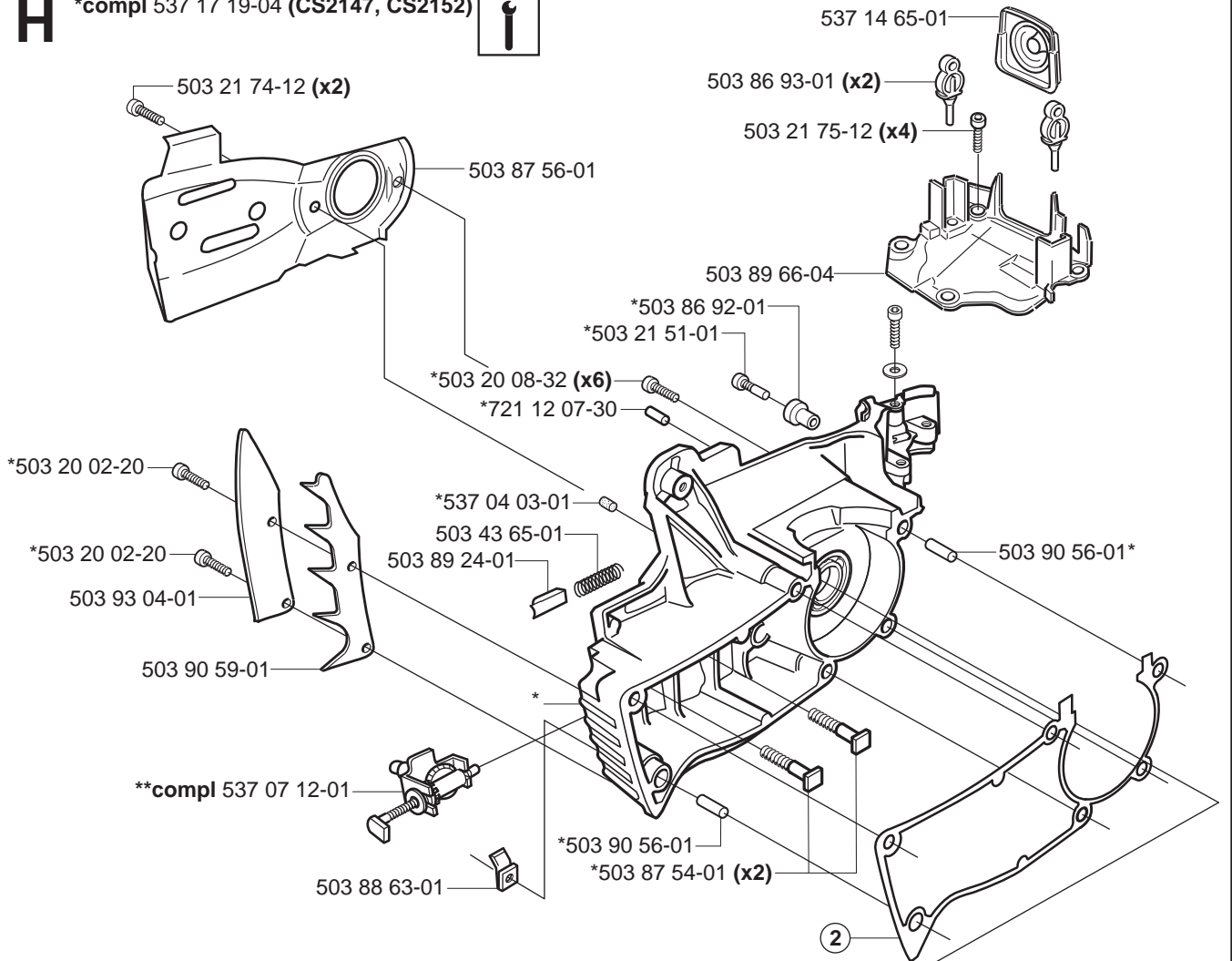
**F**

\*compl 537 25 31-02 (CS2152)  
 \*\*compl 503 86 98-71 (CS2147)

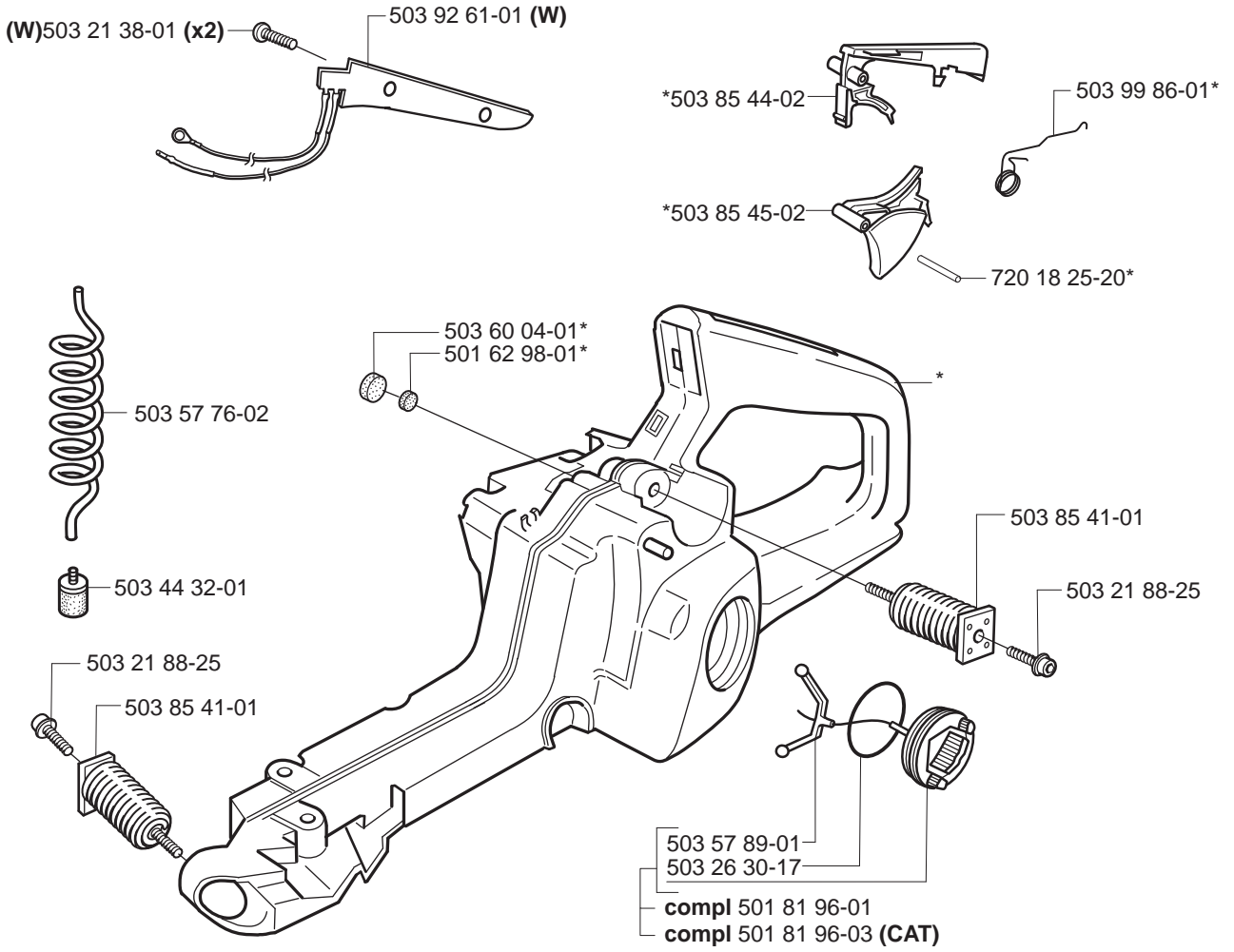
**G**

\*compl 503 85 76-71

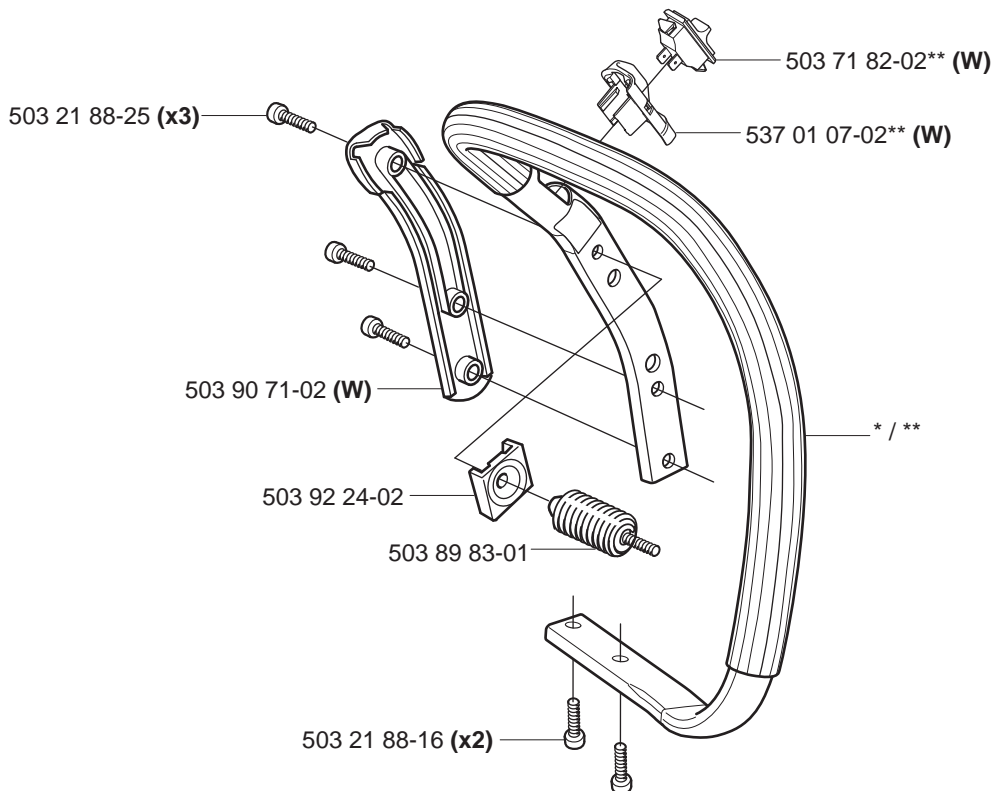


**H****\*compl 537 17 19-04 (CS2147, CS2152)**

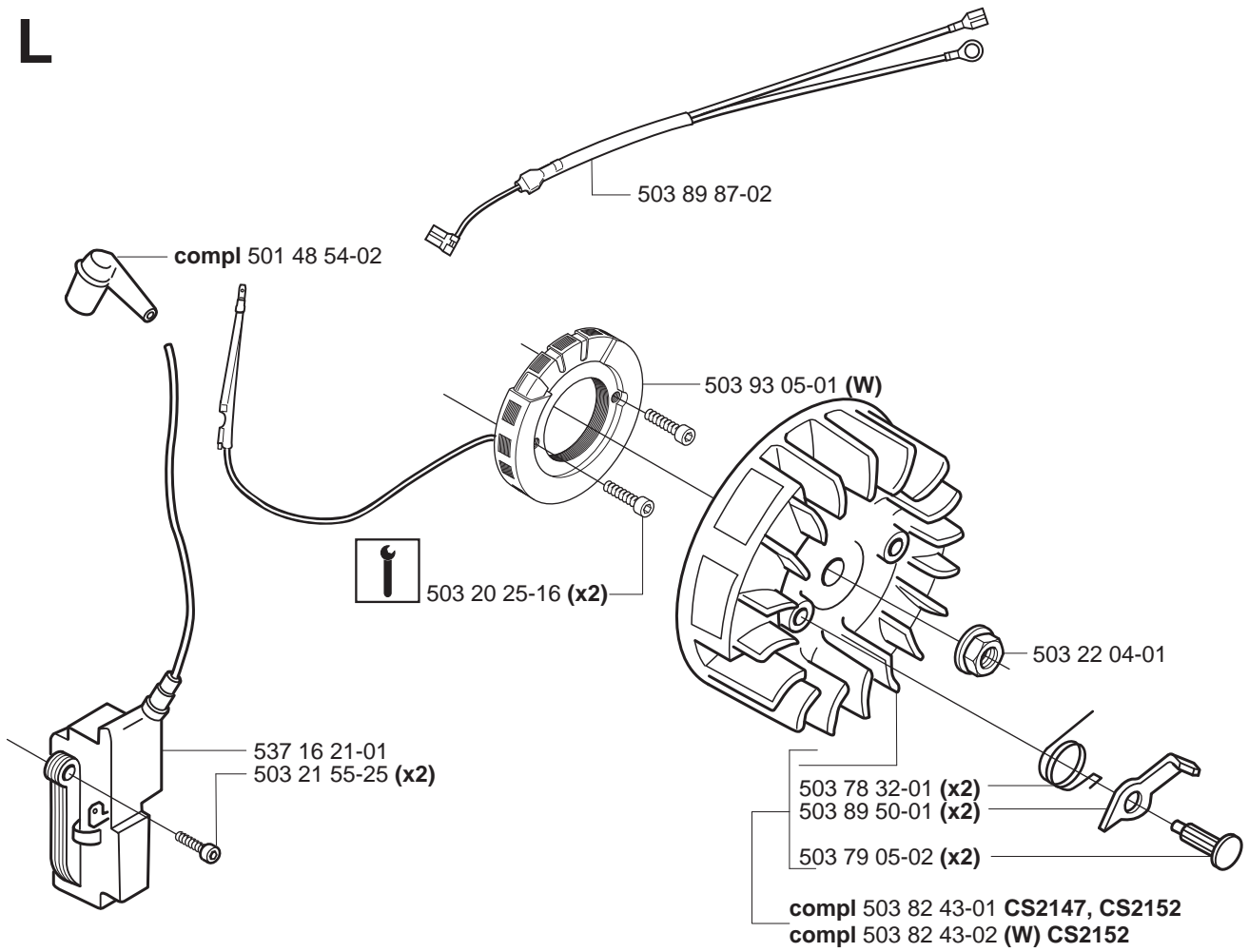
**J** \*compl 503 86 37-72



**K** \*compl 503 98 98-01  
\*\*compl 503 98 98-03 (W)



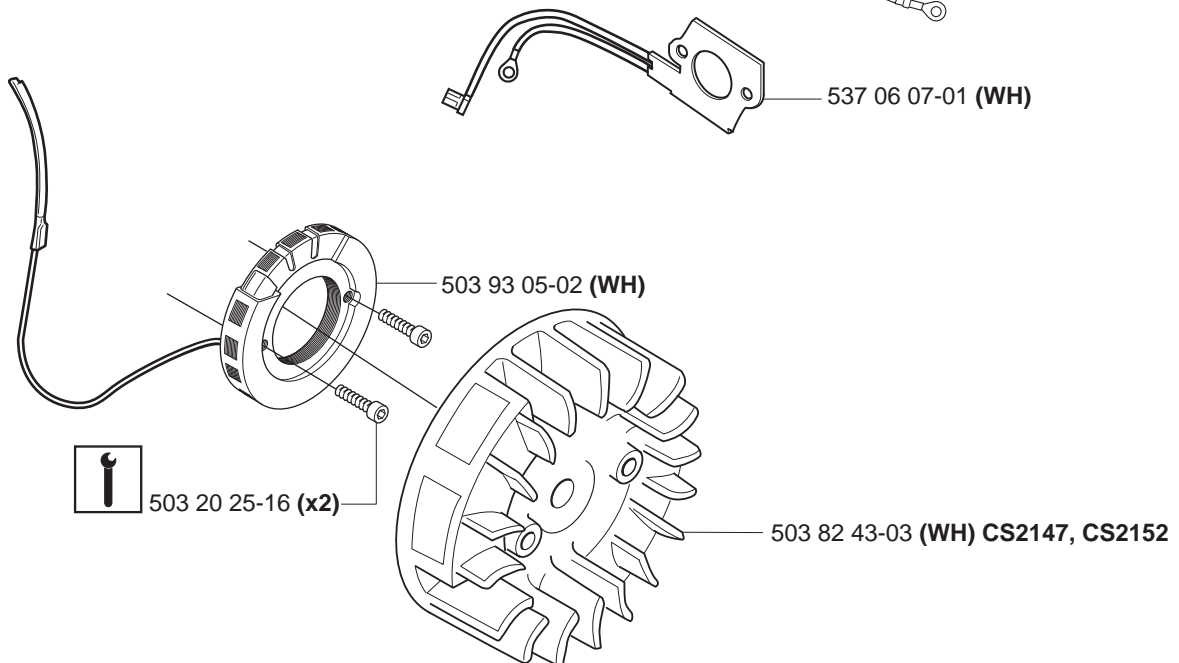
**L**

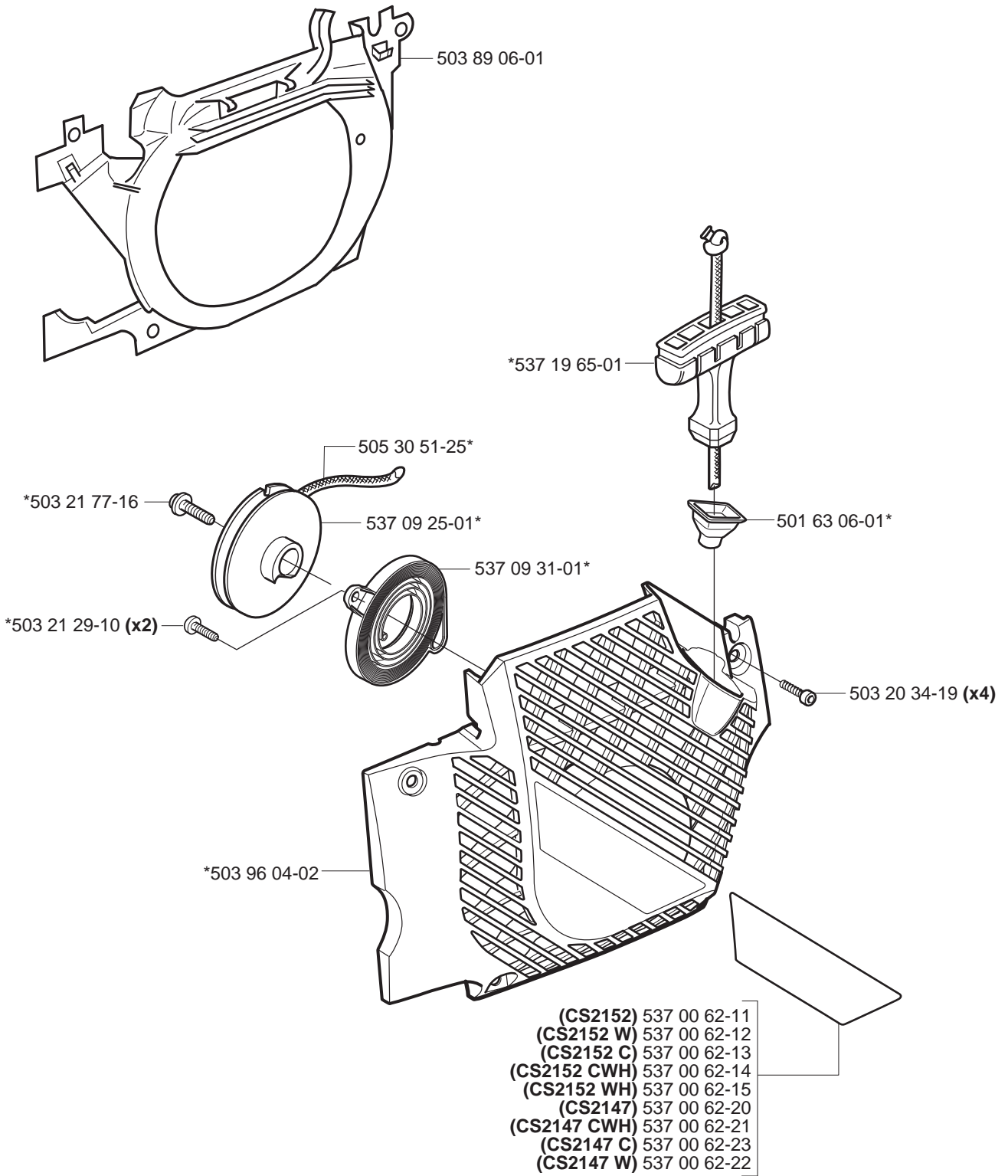


H = Heated carburettor  
W = Heated handles

(WH) 537 06 04-01

(WH) 537 18 99-01



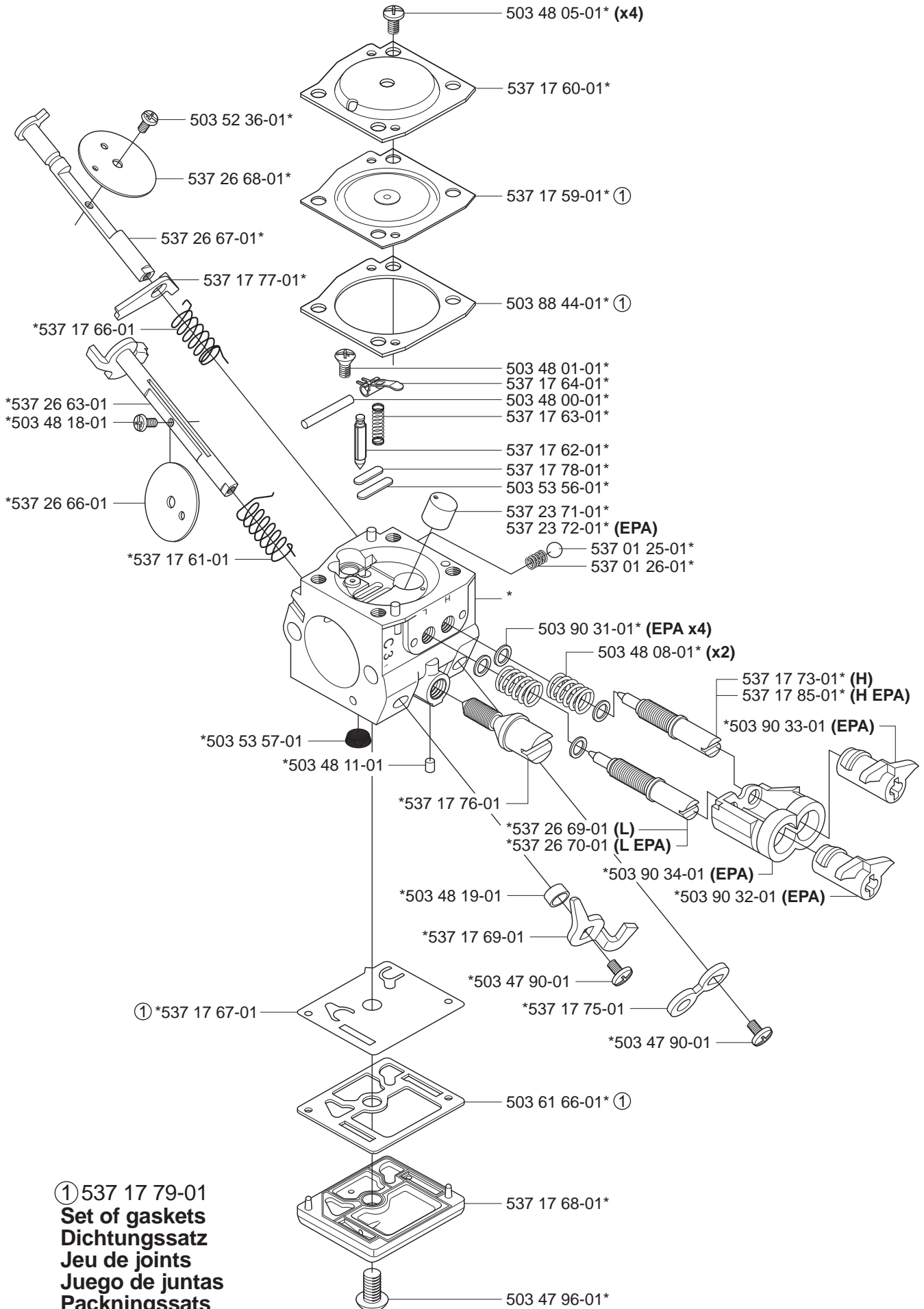




**N**

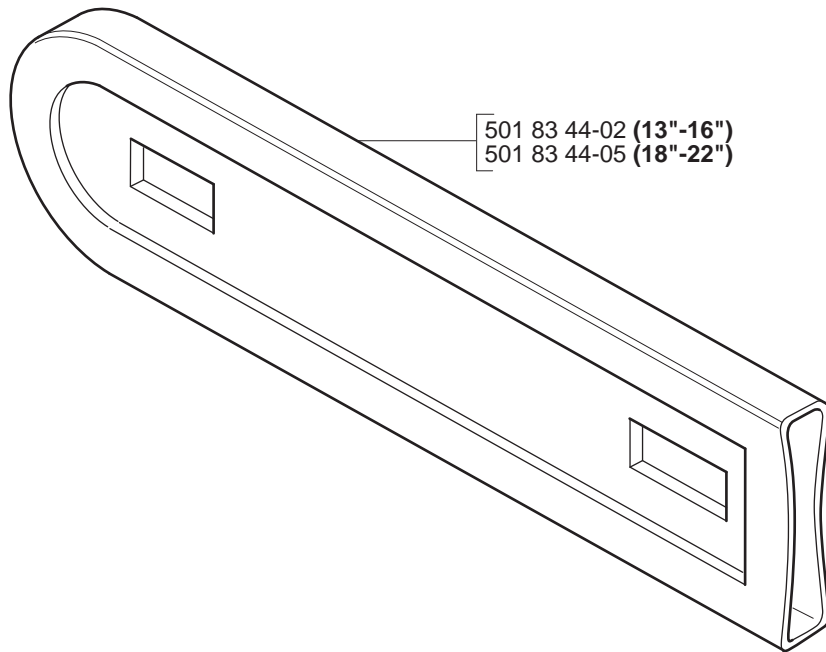
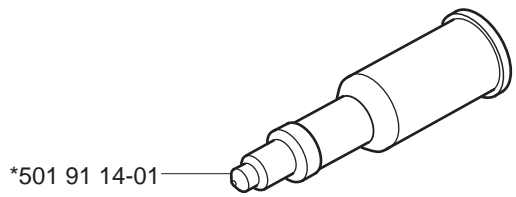
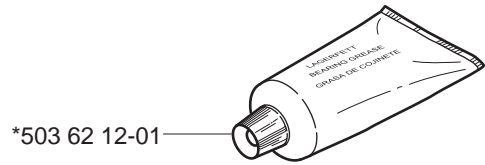
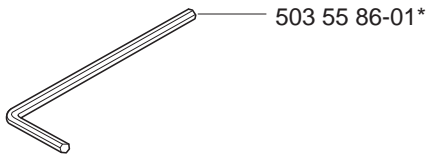
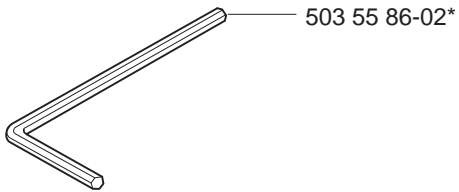
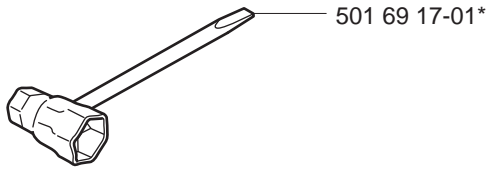
\*compl 503 28 32-07 ZAMA C3-EL17

\*compl 503 28 32-08 ZAMA C3-EL18 EPA

**ZAMA C3-EL17  
ZAMA C3-EL18**

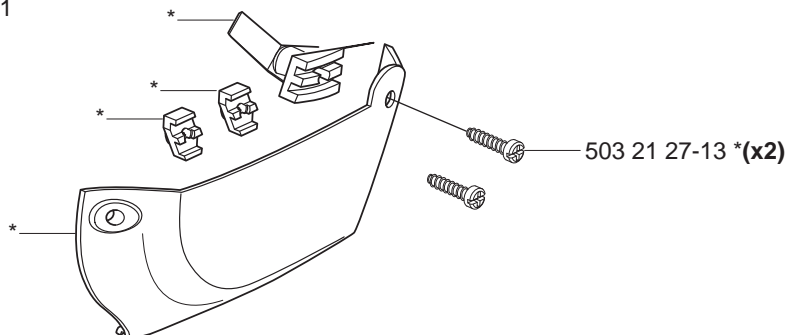
# P

Tillbehör  
Accessories  
Zubehöre  
Accessoires  
Accesorios  
\*compl 503 55 85-01



# P

WINTER KIT  
\*compl 537 16 25-01

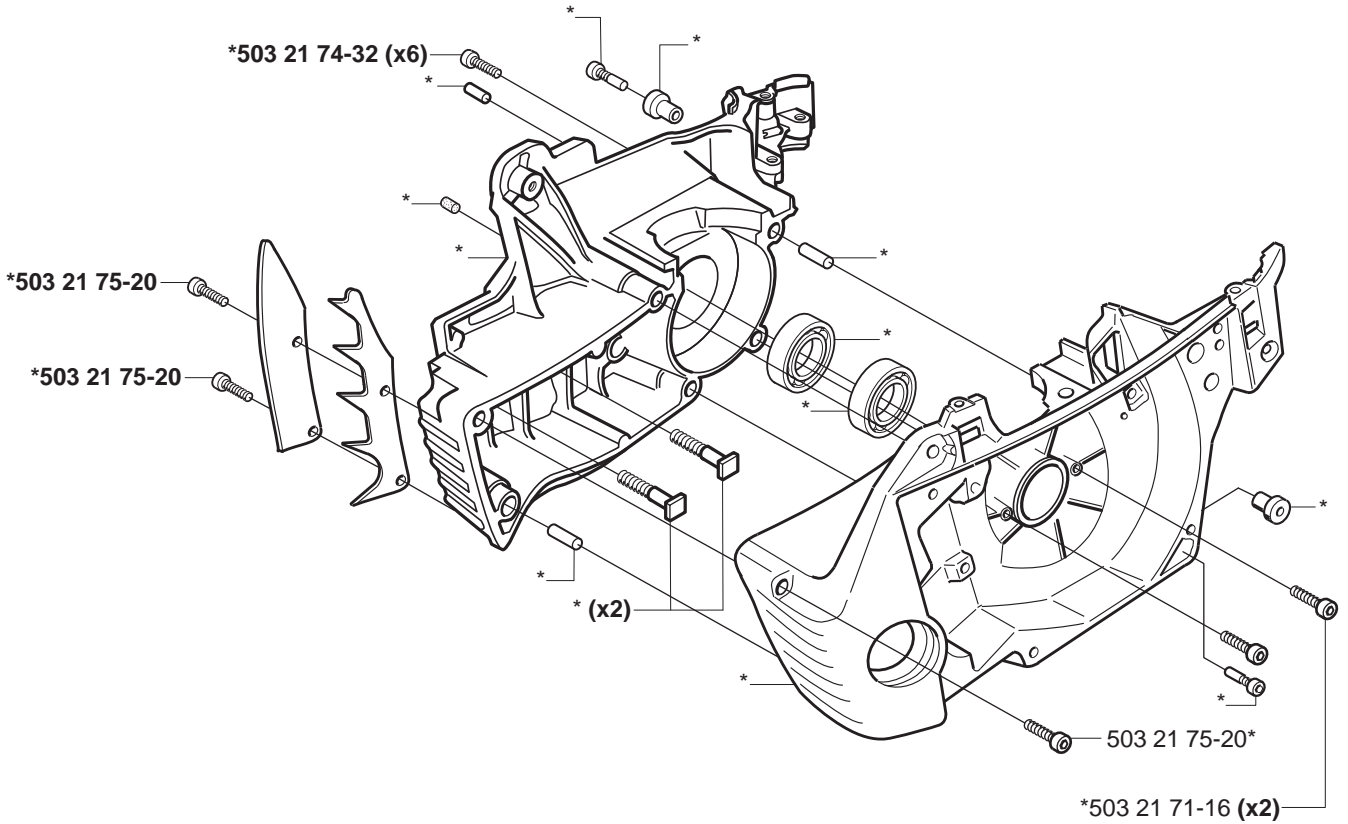


Q

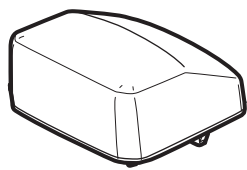


# Up to 030500001 (CS2152)

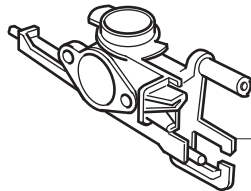
\*compl 537 17 19-04 (CS2152)



# Up to 033600001 (CS2147) Up to 034200001 (CS2152)



- 537 02 40-01 NYLON 80μ Black
- 537 02 40-02 NYLON 44μ Yellow
- 537 02 40-03 FELT White



503 86 94-01

PART NUMBER	SQUARE NOTE	PART NUMBER	SQUARE NOTE	PART NUMBER	SQUARE NOTE	PART NUMBER	SQUARE NOTE
501 45 16-01	F,G	503 71 82-02	K	503 98 00-71	B	537 23 71-01	N
501 45 74-02	B	503 78 32-01	L	503 98 74-01	A	537 23 72-01	N EPA
501 48 54-02	L	503 79 05-02	L	503 98 98-01	K	537 24 65-01	E
501 62 68-01	H	503 82 43-01	L	503 98 98-03	K	537 26 46-01	E N
501 62 98-01	J	503 82 43-02	L	503 99 58-02	M	537 26 49-01	E N
501 63 06-01	M	503 82 43-03	L	503 99 86-01	J	537 26 49-02	E N
501 69 17-01	P	503 84 59-01	C	504 71 00-03	B	537 26 49-03	E N
501 81 96-01	J	503 85 41-01	J	505 27 57-19	G	537 26 63-01	N
501 81 96-03	J	503 85 44-02	J	505 30 51-25	M	537 26 66-01	N
501 83 44-02	P	503 85 45-02	J	537 00 62-11	M	537 26 67-01	N
501 83 44-05	P	503 85 47-01	B	537 00 62-12	M	537 26 68-01	N
501 91 14-01	P	503 85 52-01	A	537 00 62-13	M	537 26 69-01	N
503 20 02-20	H N	503 85 66-01	A	537 00 62-14	M	537 26 70-01	N EPA
503 20 08-32	H	503 85 76-71	G	537 00 62-15	M	720 18 25-20	J
503 20 25-16	H,L	503 86 25-01	F 2	537 00 62-20	M	721 11 64-30	B
503 20 34-19	M	503 86 28-03	D N	537 00 62-21	M	721 12 07-30	H
503 20 45-87	D	503 86 36-01	D	537 00 62-22	M N	724 12 87-59	D N
503 21 27-13	P	503 86 37-72	J	537 00 62-23	M	725 53 33-55	F N
503 21 29-10	M	503 86 62-01	E	537 00 63-02	A	735 31 08-20	A
503 21 38-01	J	503 86 63-01	E	537 01 07-02	K	737 44 10-00	F
503 21 39-01	H	503 86 64-01	E	537 01 21-03	A	738 22 02-25	G
503 21 51-01	H	503 86 92-01	H	537 01 25-01	N		
503 21 55-25	L N	503 86 93-01	H	537 01 26-01	N		
503 21 70-10	A	503 86 94-01	Q	537 02 40-01	Q		
503 21 71-16	Q	503 86 95-02	E	537 02 40-02	Q		
503 21 74-12	B,H	503 86 96-01	E	537 02 40-03	Q		
503 21 74-32	Q	503 86 97-01	E	537 02 71-01	B		
503 21 74-50	E	503 86 98-71	F	537 02 90-01	E		
503 21 75-12	H	503 87 30-72	B	537 02 99-01	A		
503 21 75-20	Q	503 87 54-01	H	537 03 32-04	C		
503 21 77-16	M	503 87 56-01	H	537 04 03-01	H		
503 21 88-16	K	503 88 44-01	N 1	537 04 30-01	A		
503 21 88-25	J,K	503 88 63-01	H	537 06 04-01	L		
503 22 00-01	A	503 88 86-01	H	537 06 07-01	L		
503 22 04-01	L	503 88 92-01	E	537 06 91-01	B		
503 23 00-60	B	503 89 06-01	M	537 07 12-01	H		
503 23 51-08	F	503 89 08-02	A	537 07 54-02	D		
503 25 20-02	G	503 89 15-01	B	537 08 00-01	B		
503 25 52-01	B	503 89 16-01	B	537 08 90-01	A		
503 26 09-01	G	503 89 20-02	B	537 09 25-01	M		
503 26 30-17	J	503 89 21-02	B	537 09 31-01	M		
503 28 32-07	E,N	503 89 24-01	H	537 10 55-01	B		
503 28 32-08	E,N EPA	503 89 29-01	A	537 10 79-01	A		
503 28 90-05	F	503 89 30-02	A	537 10 80-01	A		
503 28 90-11	F	503 89 44-01	F 2	537 11 05-01	B		
503 40 59-01	C	503 89 47-02	H	537 14 65-01	H		
503 43 65-01	H	503 89 50-01	L	537 15 27-01	A		
503 44 32-01	J	503 89 66-04	H	537 16 21-01	L		
503 46 59-01	A	503 89 83-01	K	537 16 25-01	P		
503 47 90-01	N	503 89 87-02	L	537 17 19-04	H,Q		
503 47 96-01	N	503 90 31-01	N EPA	537 17 59-01	N 1		
503 48 00-01	N	503 90 32-01	N EPA	537 17 60-01	N		
503 48 01-01	N	503 90 33-01	N EPA	537 17 61-01	N		
503 48 05-01	N	503 90 34-01	N EPA	537 17 62-01	N		
503 48 08-01	N	503 90 39-02	H	537 17 63-01	N		
503 48 11-01	N	503 90 56-01	H	537 17 64-01	N		
503 48 18-01	N	503 90 59-01	H	537 17 66-01	N		
503 48 19-01	N	503 90 71-02	K	537 17 67-01	N 1		
503 52 36-01	N	503 90 73-71	F	537 17 68-01	N		
503 53 56-01	N	503 92 24-02	K	537 17 69-01	N		
503 53 57-01	N	503 92 61-01	J	537 17 73-01	N		
503 55 85-01	P	503 92 95-01	A	537 17 75-01	N		
503 55 86-01	P	503 93 04-01	H	537 17 76-01	N		
503 55 86-02	P	503 93 05-01	L	537 17 77-01	N		
503 57 76-02	J	503 93 05-02	L	537 17 78-01	N		
503 57 89-01	H,J	503 94 19-01	D	537 17 79-01	N		
503 60 04-01	J	503 94 28-02	2=Compl	537 17 85-01	N		
503 61 66-01	N	503 96 04-02	M	537 18 99-01	L		
503 62 12-01	P	503 96 27-01	E N	537 19 65-01	M N		
503 66 54-01	F	503 97 13-01	F	537 22 36-02	F		

1 = 537 17 79-01  
2 = 503 94 28-02

Set of gaskets  
Dichtungssatz  
Jeu de joints  
Juego de juntas  
Packningssats

N = New part  
Neues teil  
Nouvelle piece  
Nueva pieza  
Ny detalj

EPA = Environmental Protection Agency  
(for USA only)